



CONTECH

CONTECHUSA.COM

Our presses offer infinite possibilities in precision die from large formats to intricate small parts; Thermal die-cut, emboss, hot and cold steel-rule die cut, matched male/female tools, steel-rule kiss cut, and class A tooling. Multiple selections from hand fed to automatic gripper, belt feed and web operation. Utilizes various cutting surfaces to cut against such material as steel, urethane belt, or plastic.

Hitch Feed Increment Press



Ultra Press



36x96 Accupress with Heat Platon

Presses Available in:

- 12"x12" to 60"x168"
- 15 to 300 Ton

These are only a select few of the many custom design options for your automated applications.

Contact us to send us a sample of your material for a free processing evaluation.



Sponge Belt Press

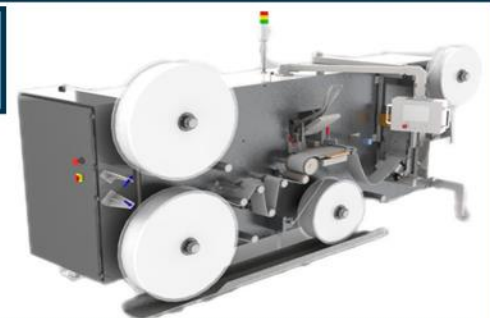


Hitch Feed Web Press w/ Knocdk out station & Slug Removal



Roll to Roll Punch Press

Narrow Web Rotary Die

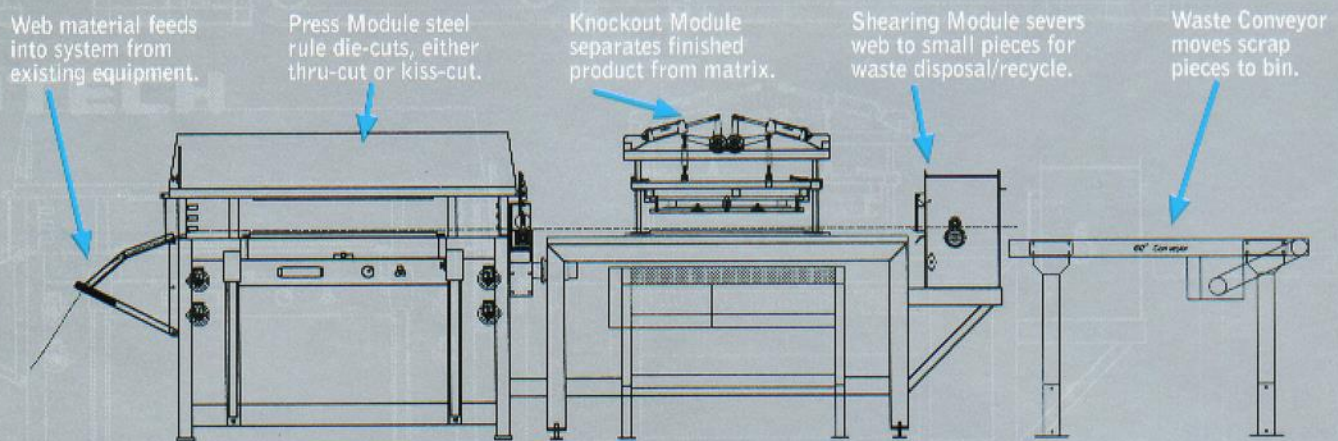
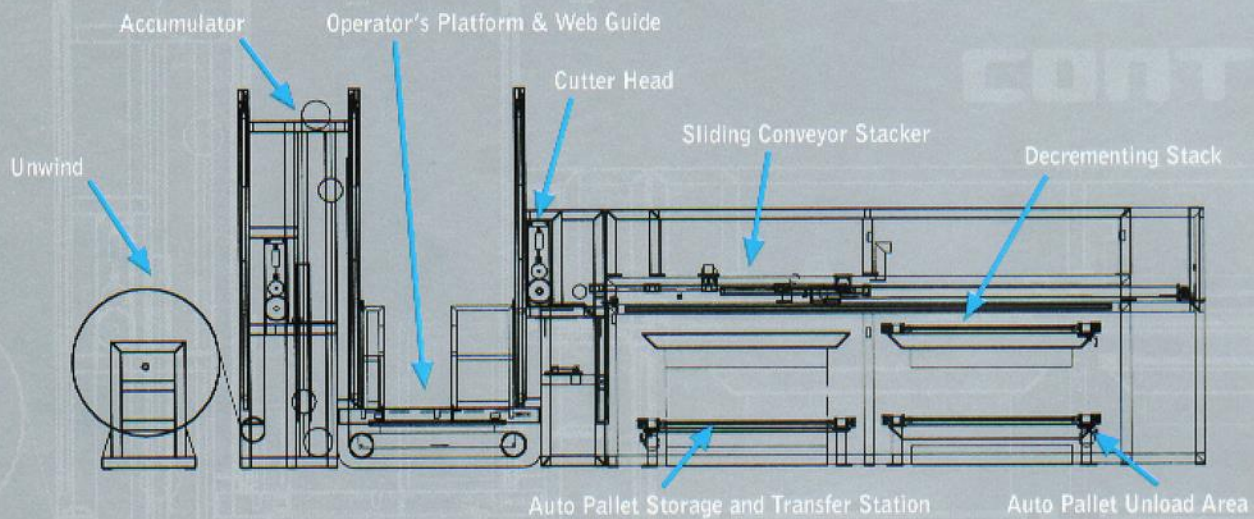
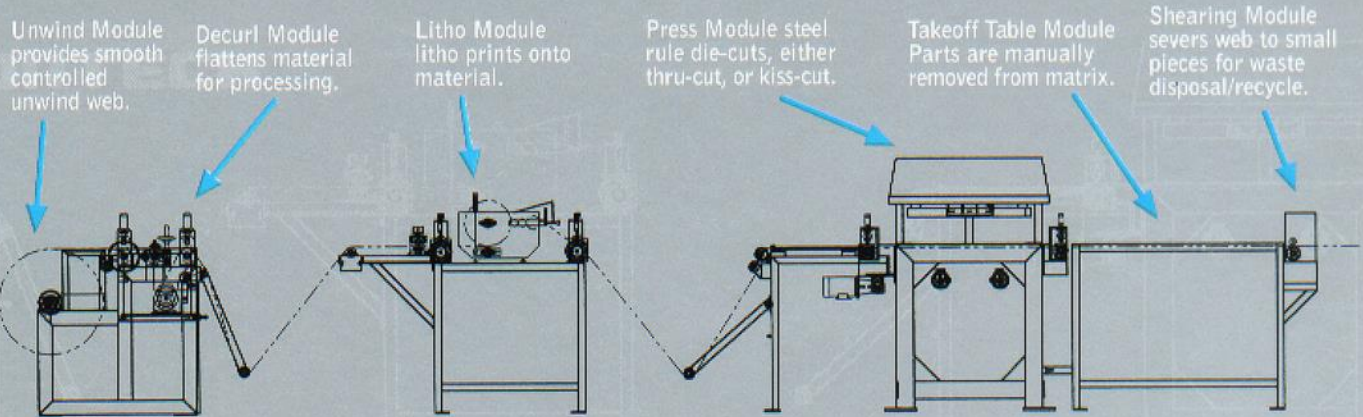


Converting Technologies Inc.
1756 S. 151st. Street West
Goddard, KS 67052
(800) 633-7621
Contechusa.com
info@contechusa.com



CONTECH

These are typical configurations designed to accomplish specific requirements - roll-to-roll, roll-to-sheet, sheet-to-sheet:



Inline operations could also include: Printer Lines, Extrusion Lines, and Custom Processing Lines. Visit our website to see the many other lines of custom automation equipment that Contech has to offer. CONTECHUSA.COM

Contact us today to send us a sample of you material for a free processing evaluation!